

ZODA 70



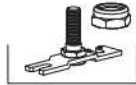
x1



x7



x2



x2



ø5x50

x4



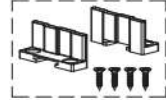
x1



x1



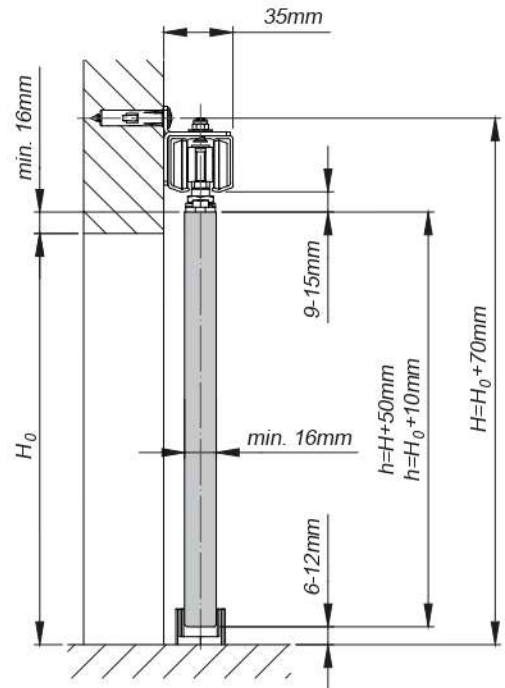
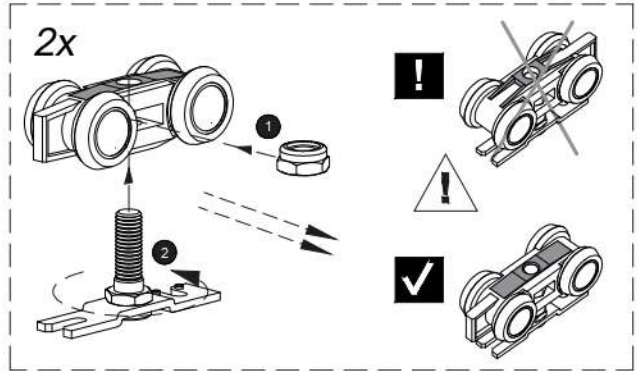
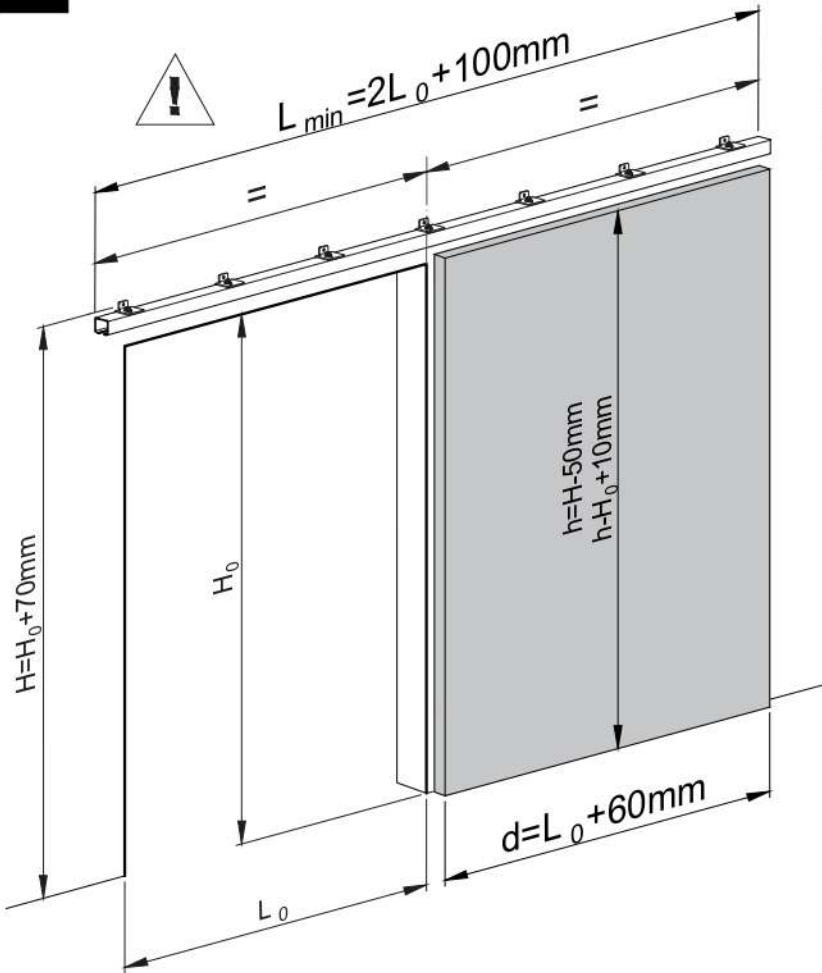
x2



x1



1

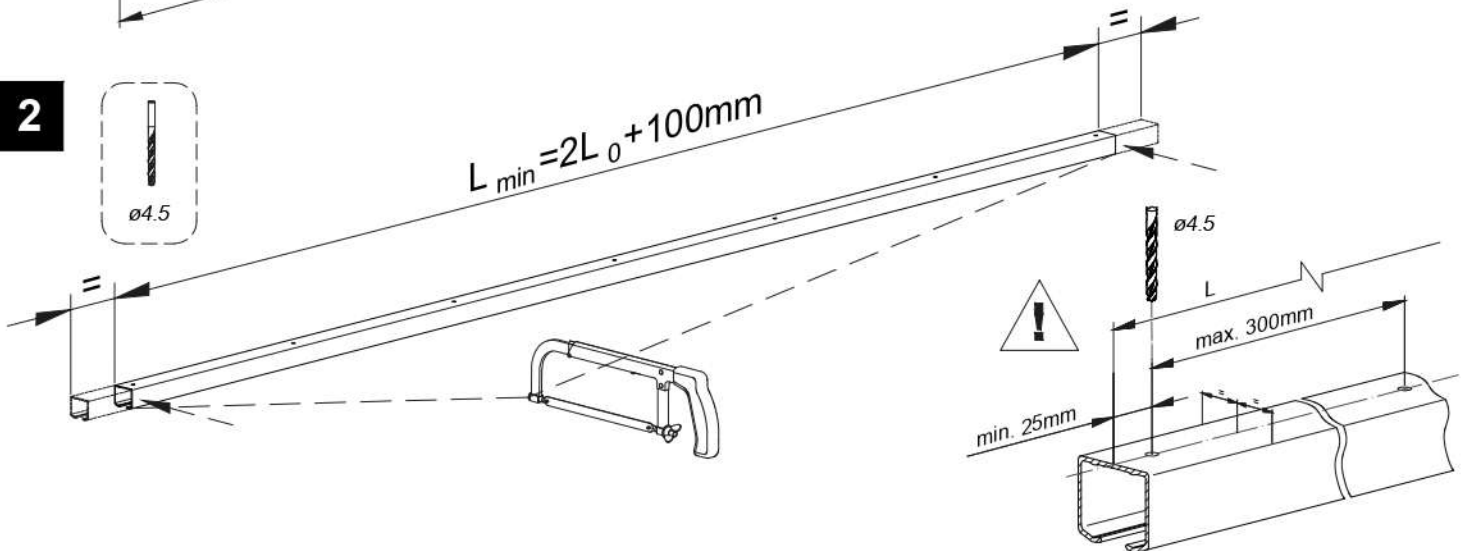


2

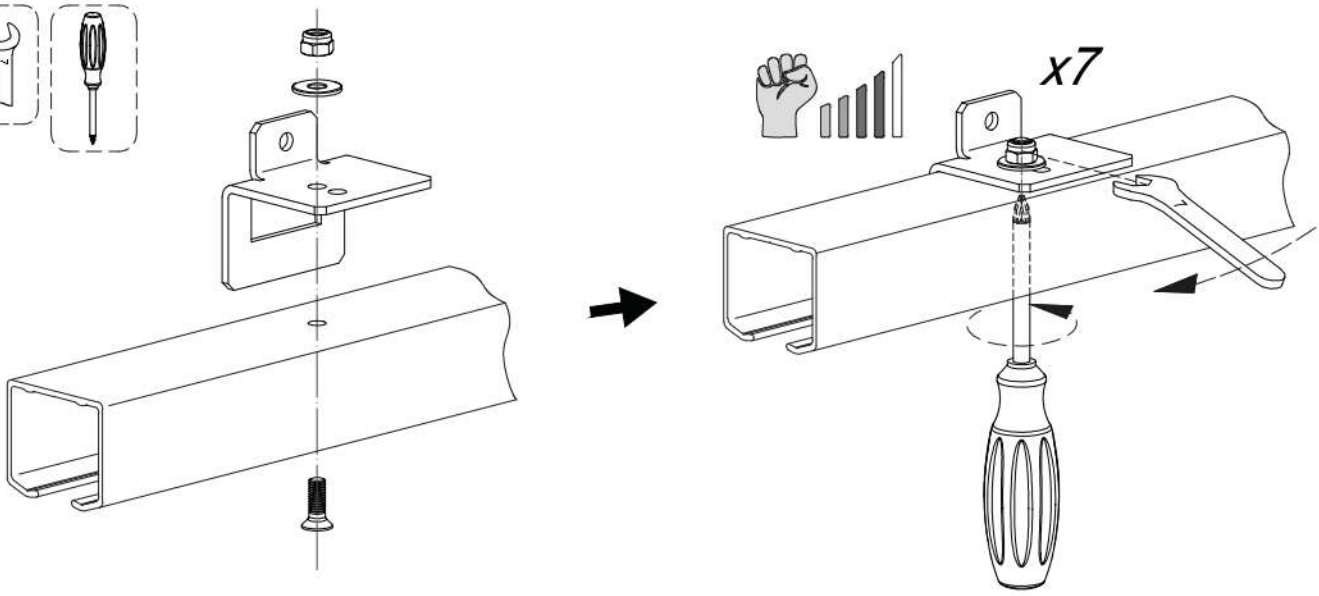


ø4.5

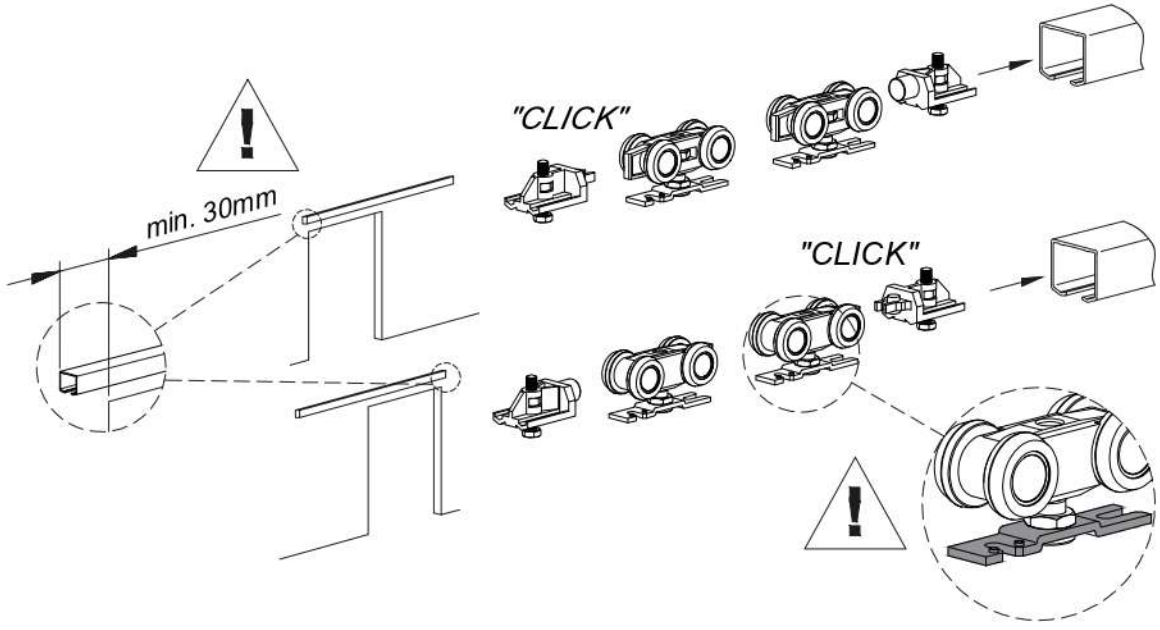
$L_{\min} = 2L_0 + 100\text{mm}$



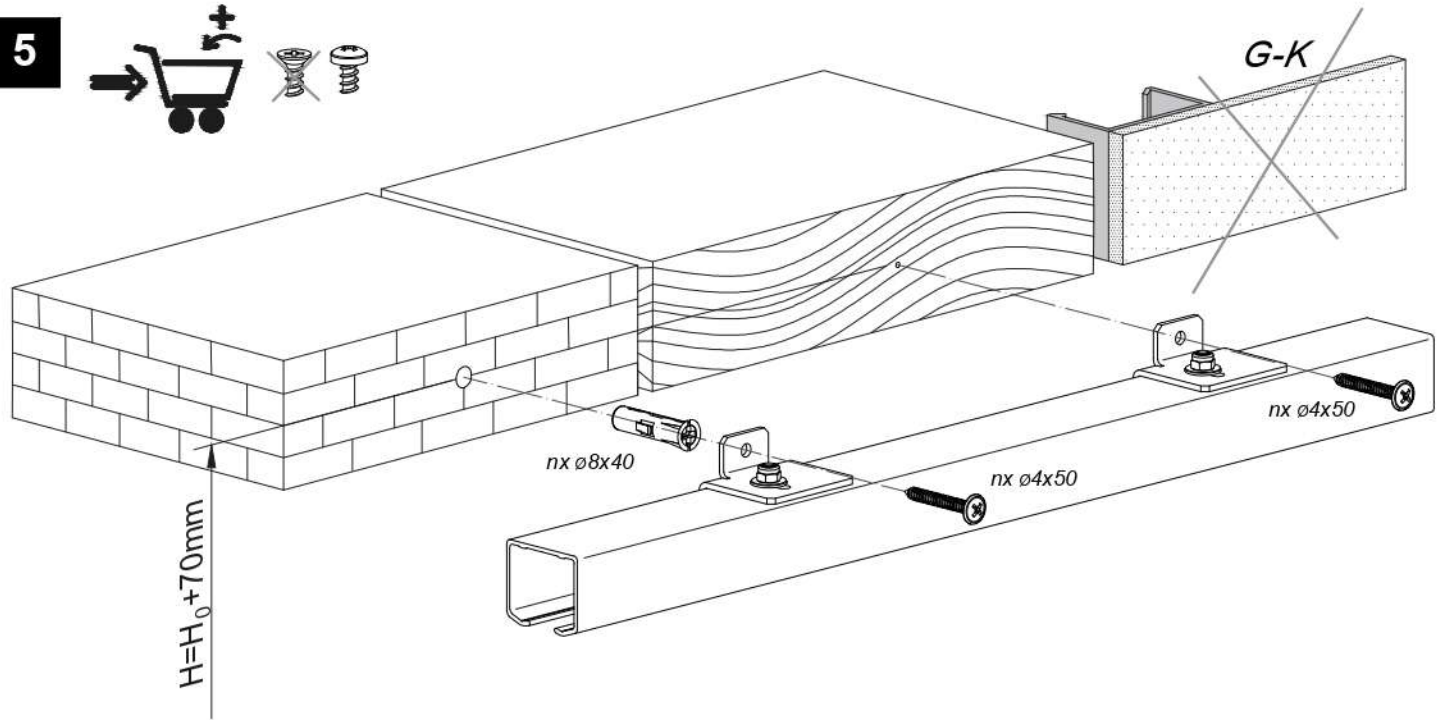
3

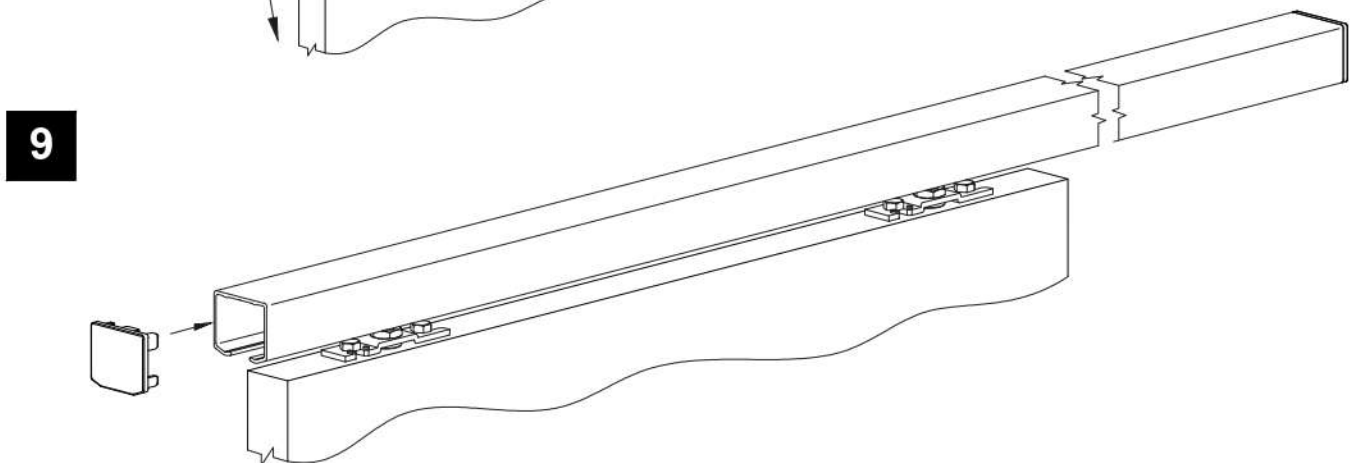
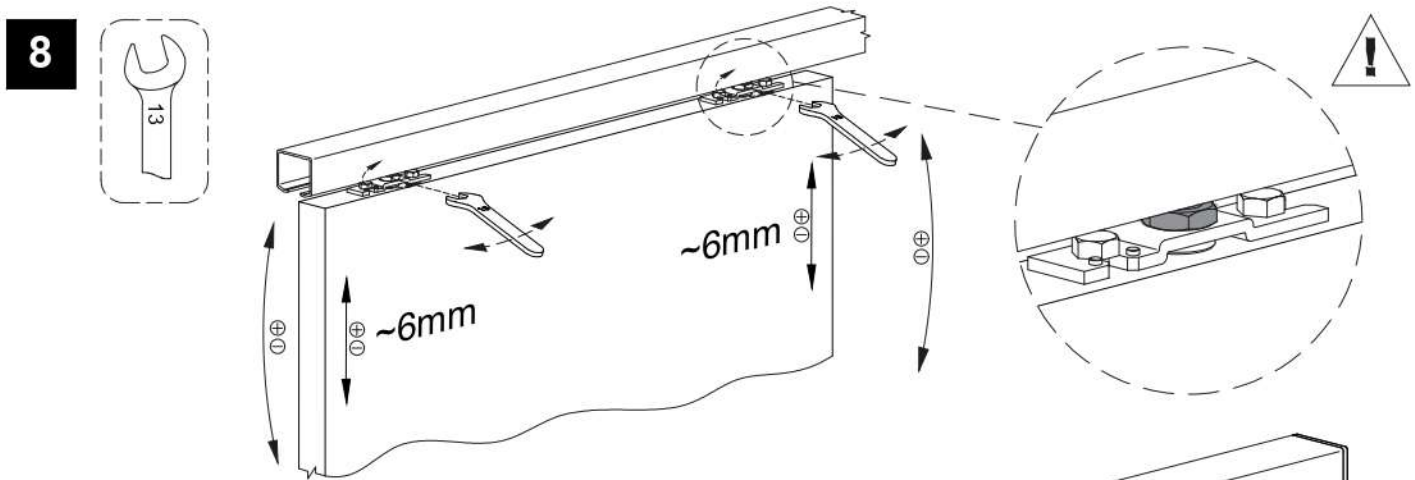
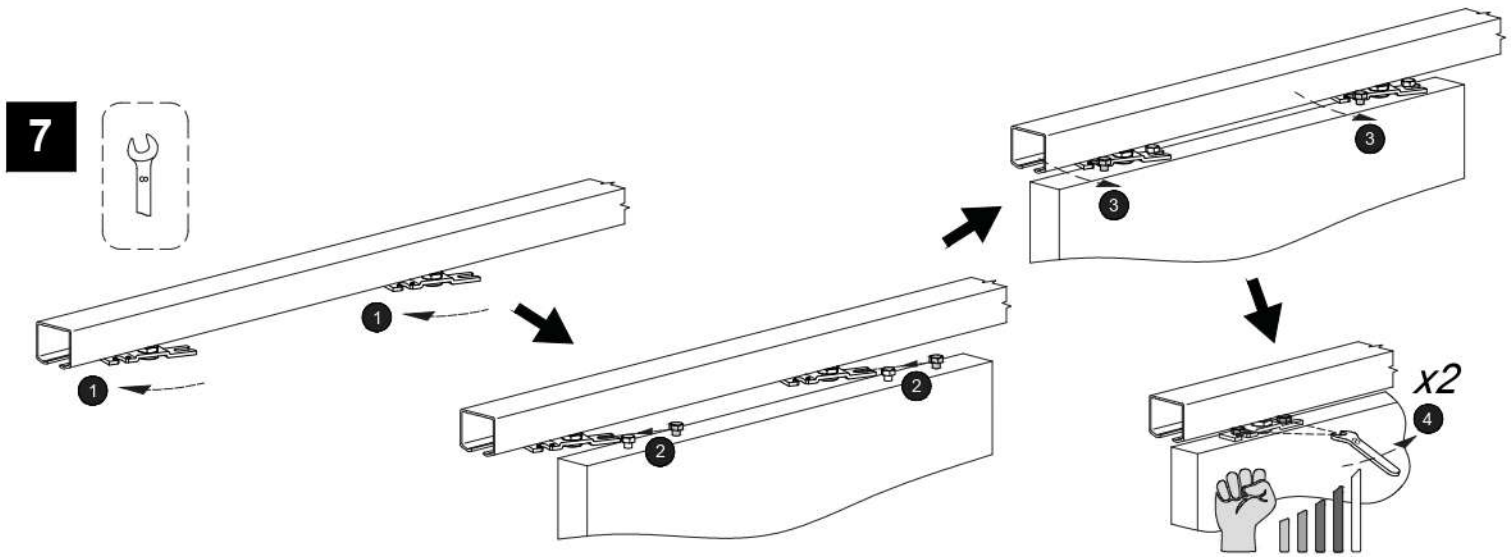
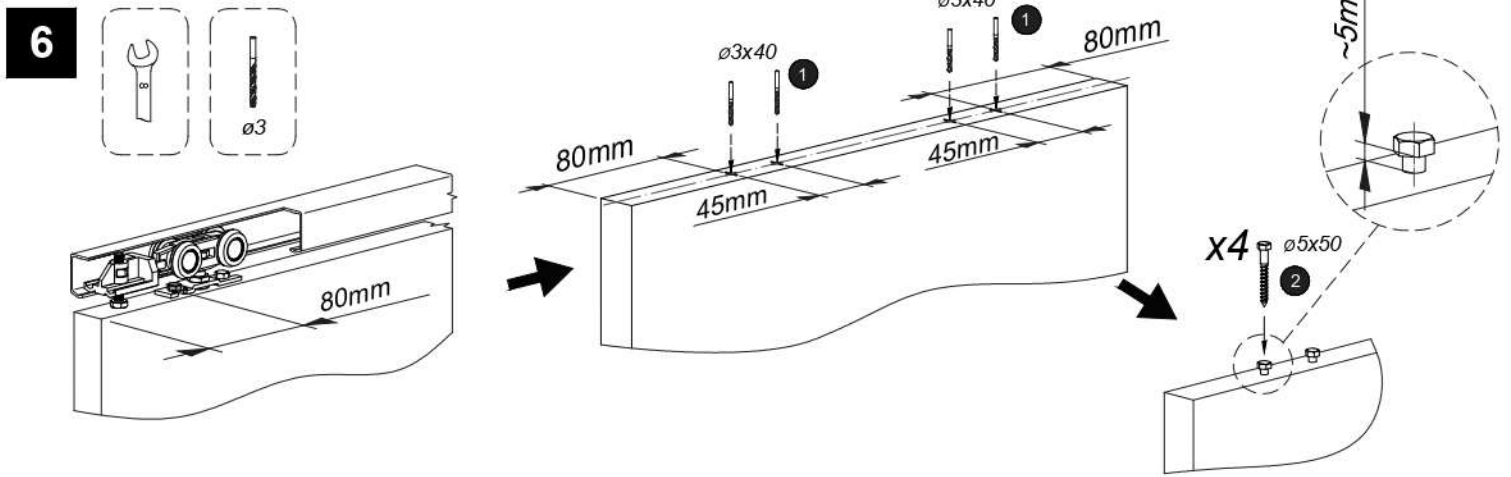


4

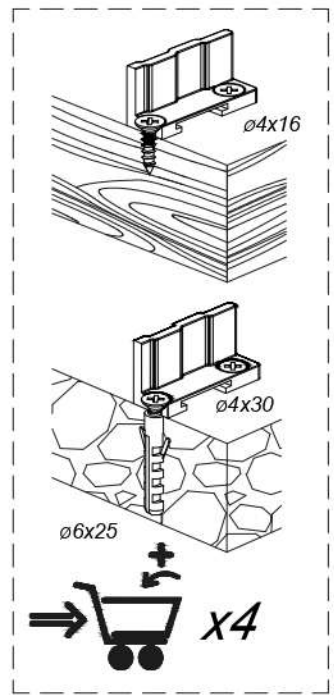
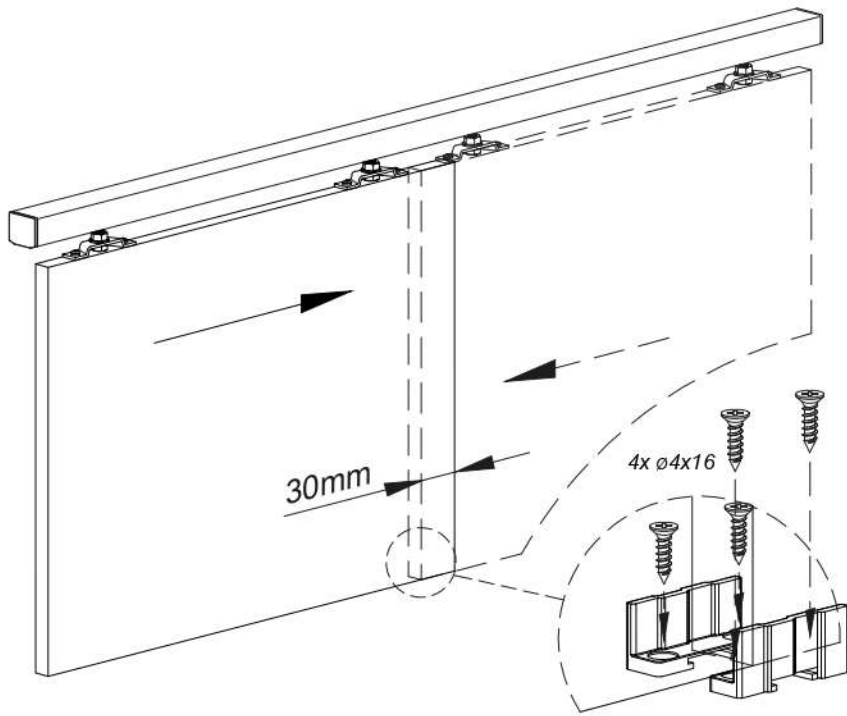


5





10



11

